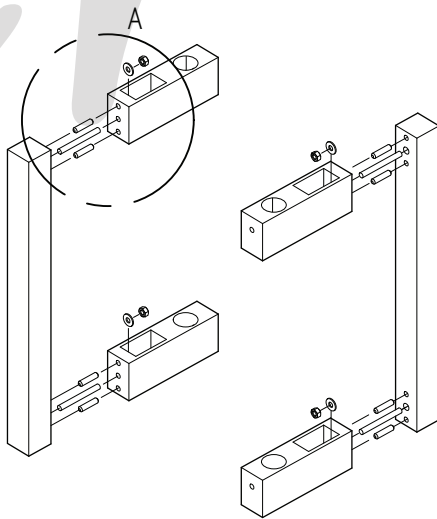
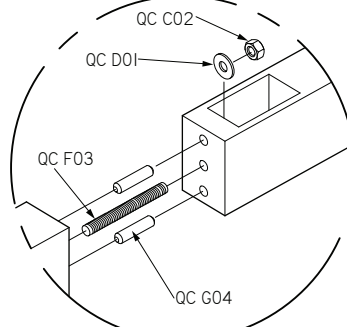


1

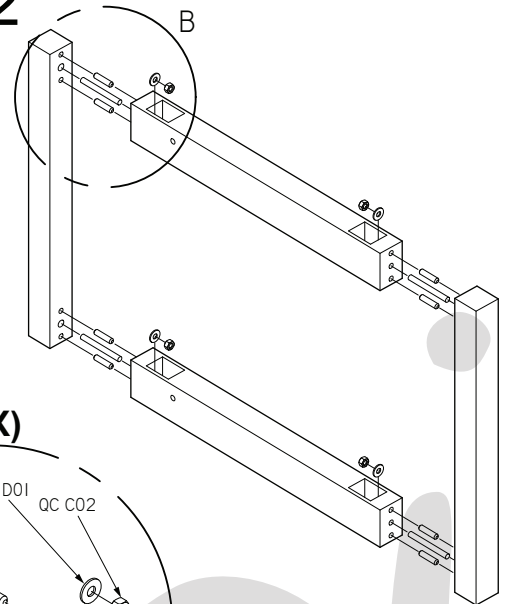


(4X)

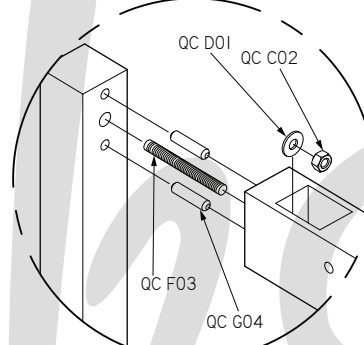


DETAIL A

2

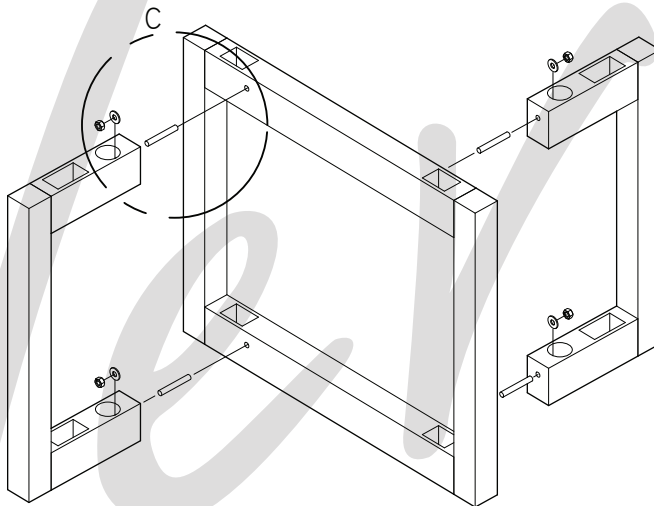


(4X)

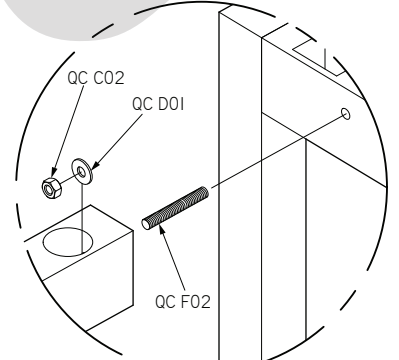


DETAIL B

3

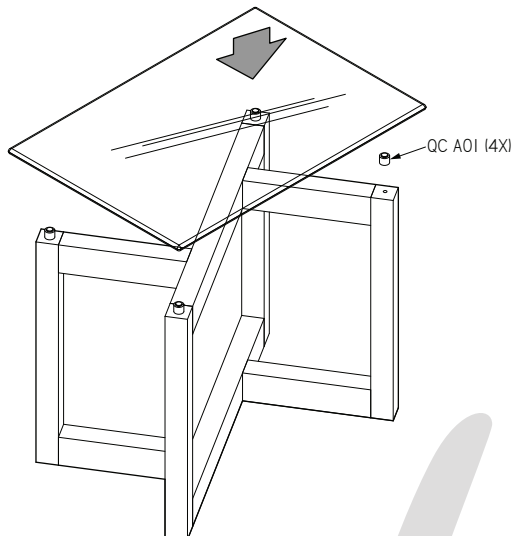


(4X)



DETAIL C

4



5

