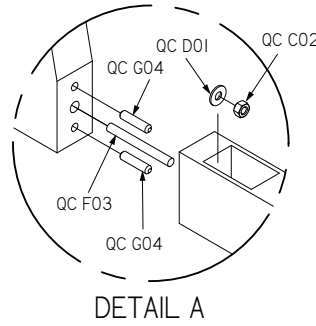
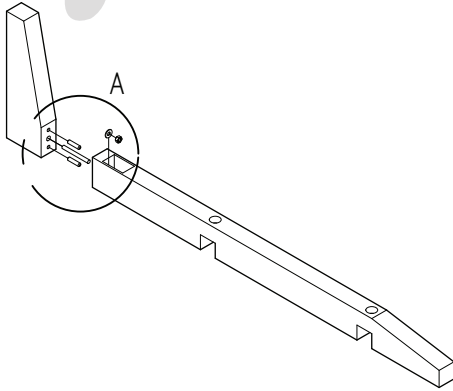
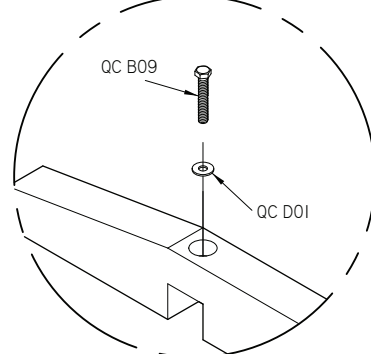


1 (4X)



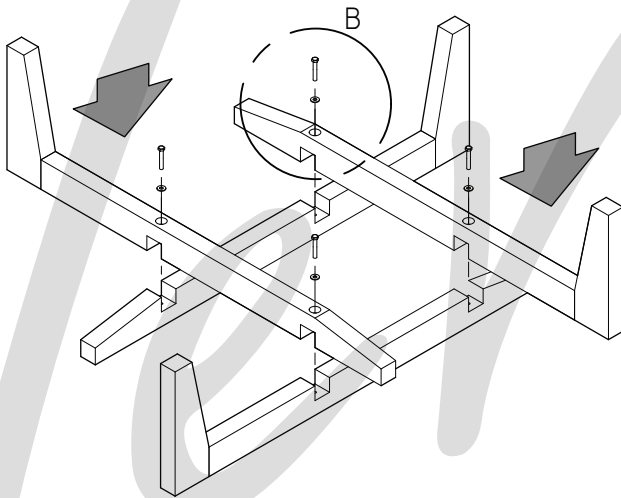
DETAIL A

(4X)

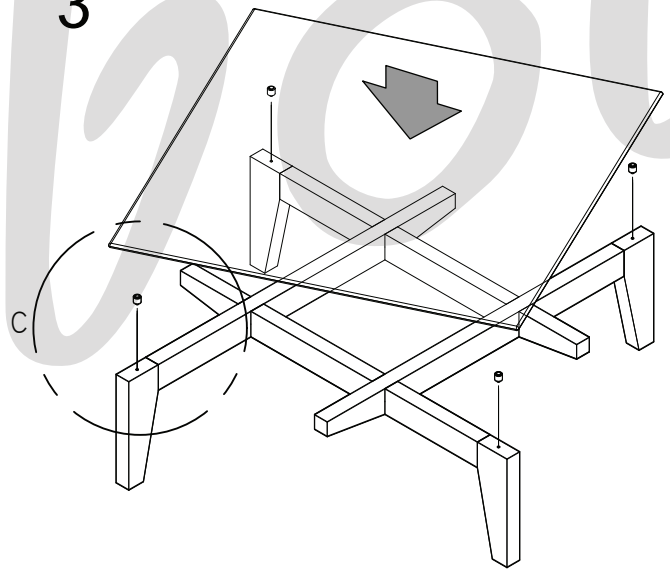


DETAIL B

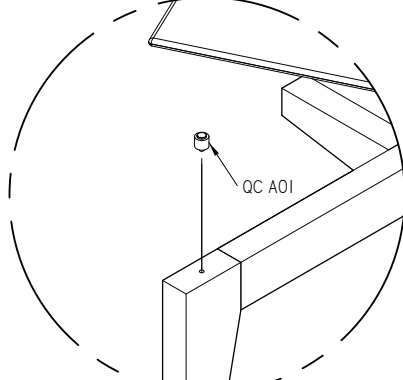
2



3

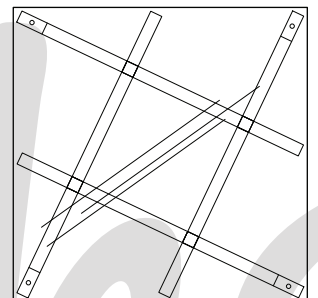
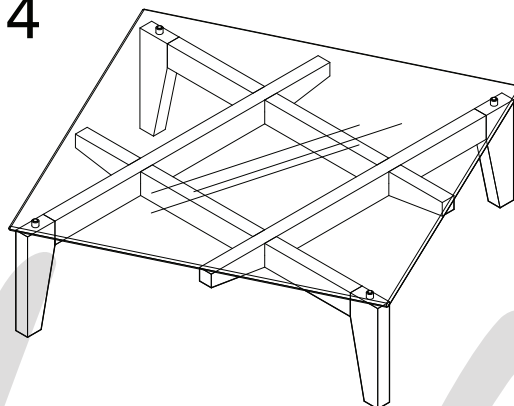


(4X)



DETAIL C

4



VUE DE DESSUS  
TOP VIEW