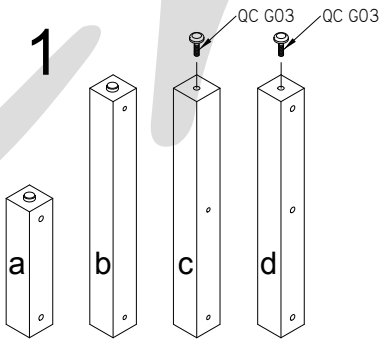
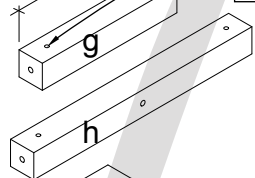
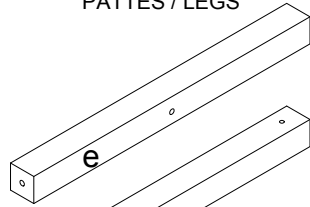


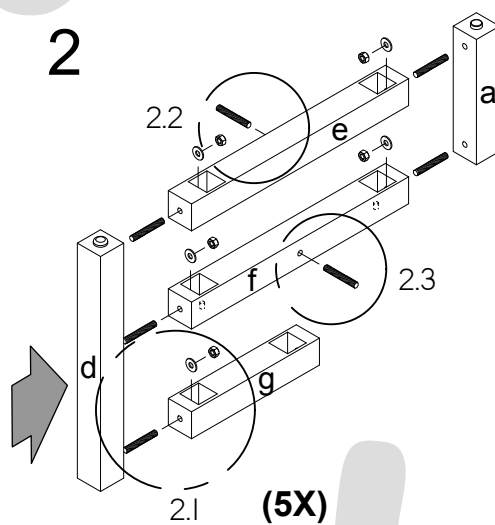
1



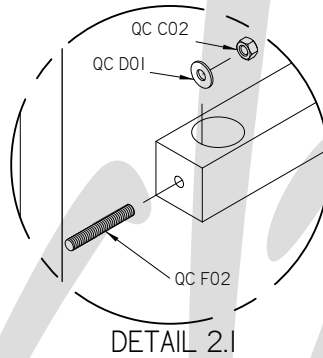
PATTES / LEGS



2



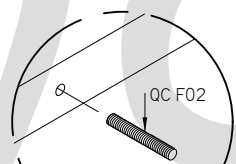
2.1 (5X)



DETAIL 2.1

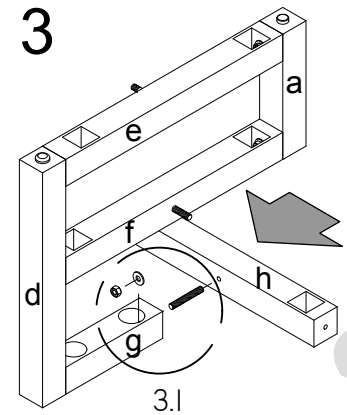


DETAIL 2.2

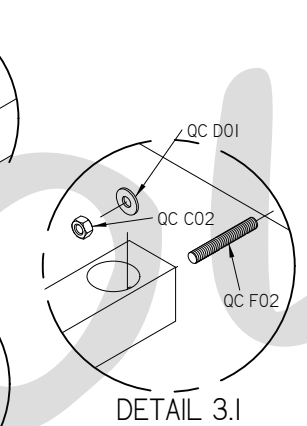


DETAIL 2.3

3

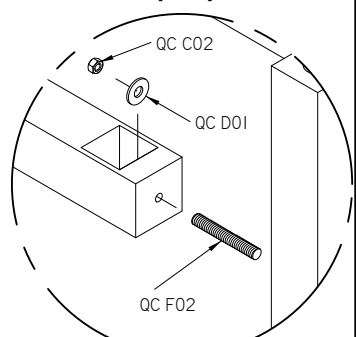


3.1



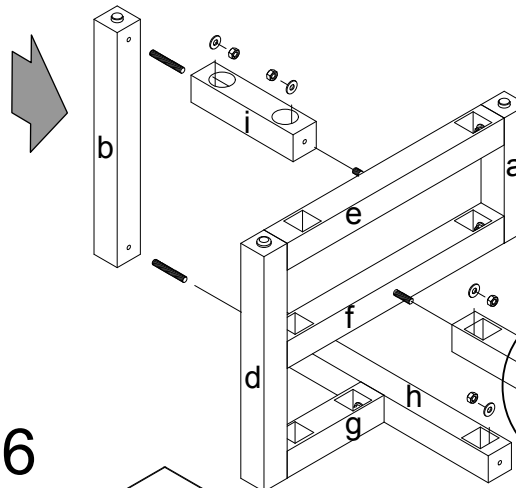
DETAIL 3.1

(6X)

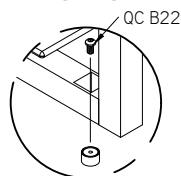


DETAIL 4.1

4

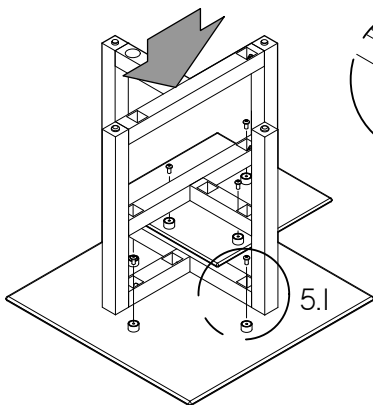


(6X)



DETAIL 5.1

5



5.1

6

