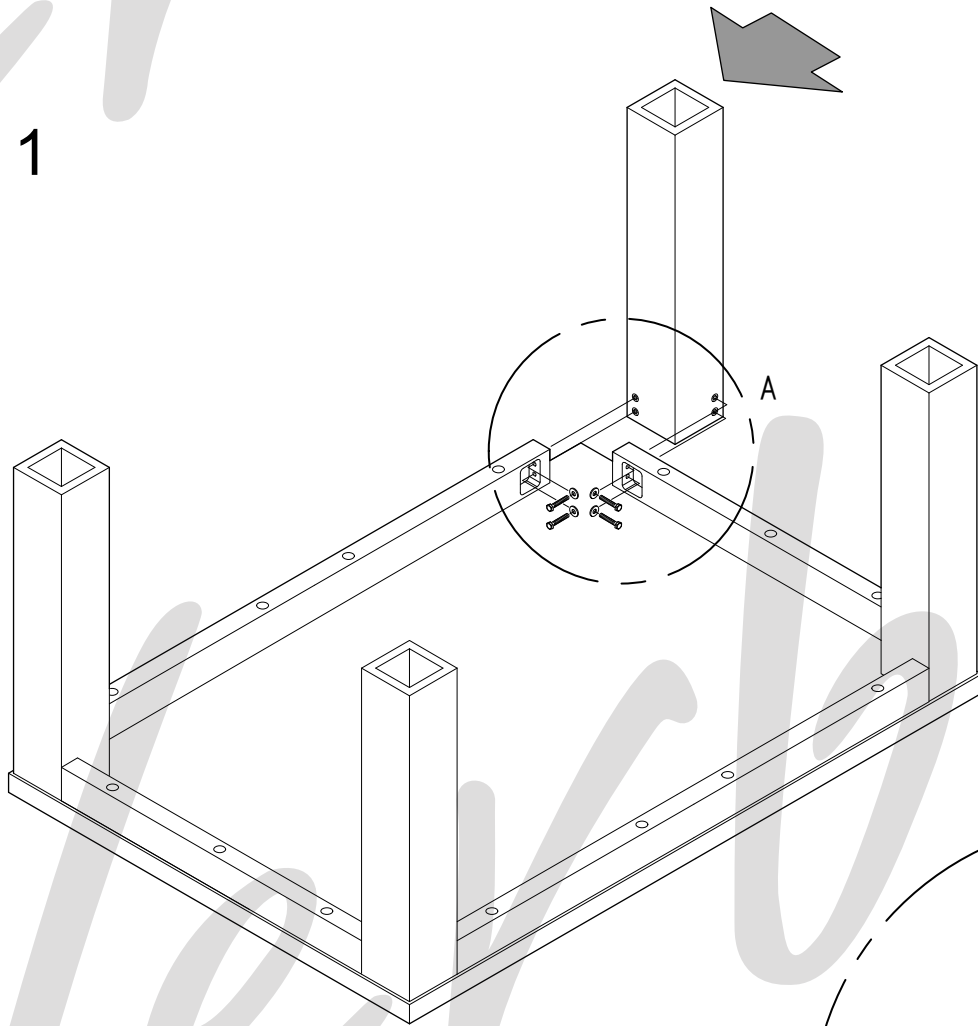
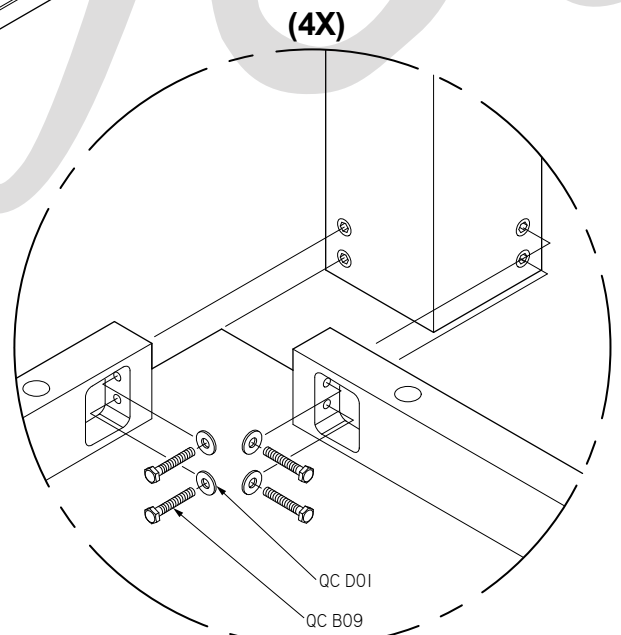
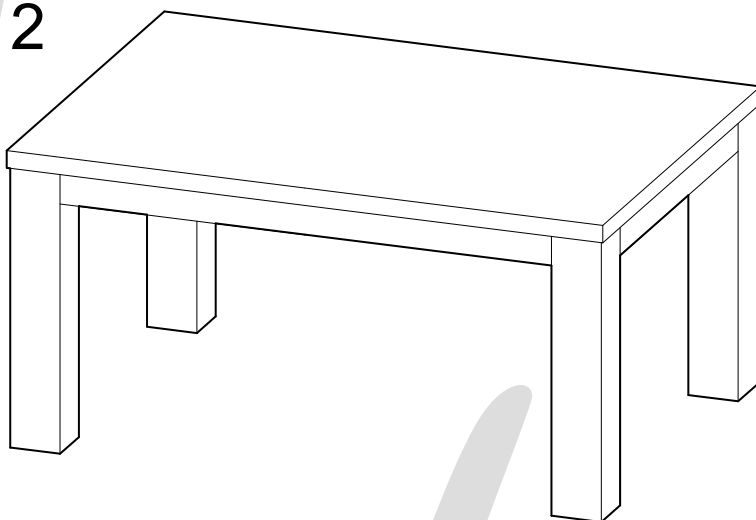


1



2



DETAIL A