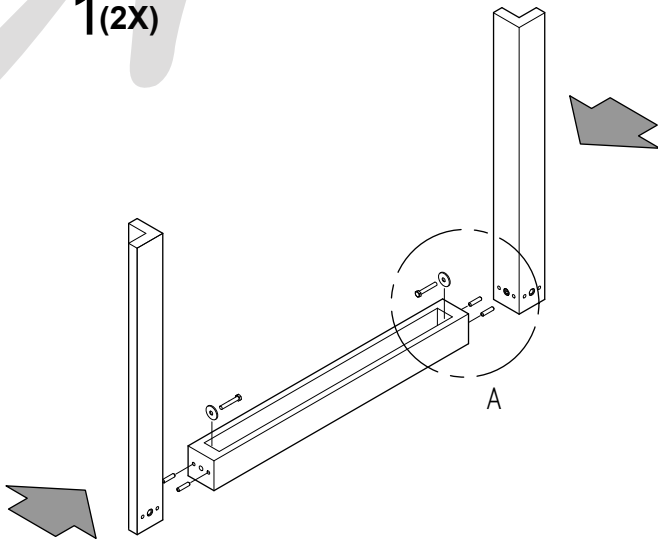
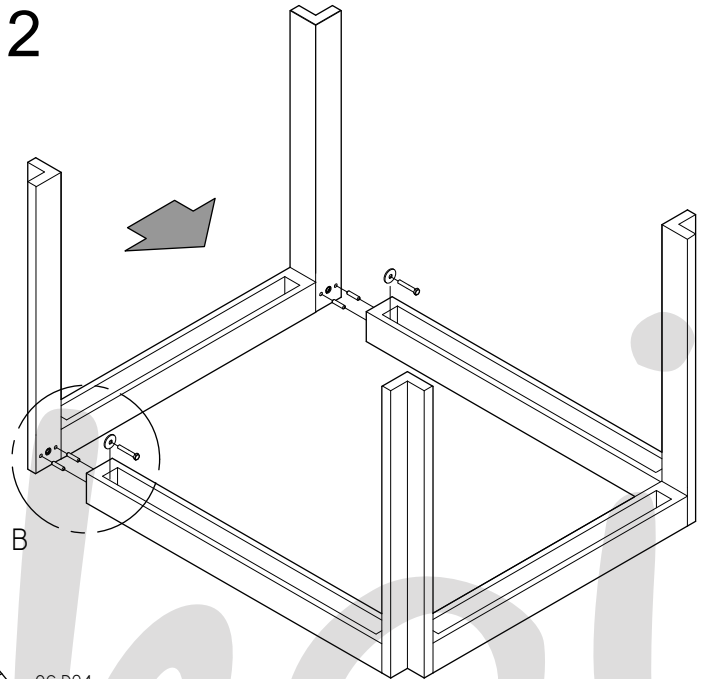


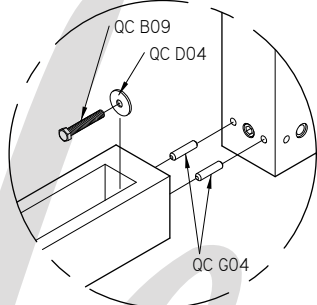
1 (2X)



2

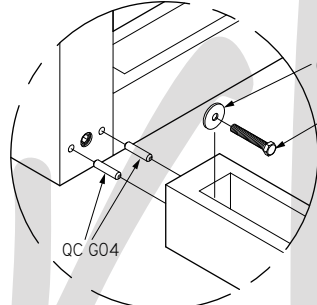


(2X)



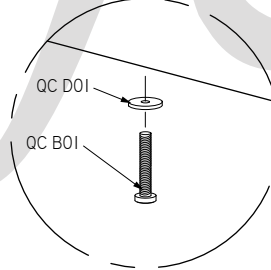
DETAIL A

(4X)



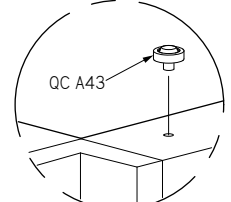
DETAIL B

(6X)



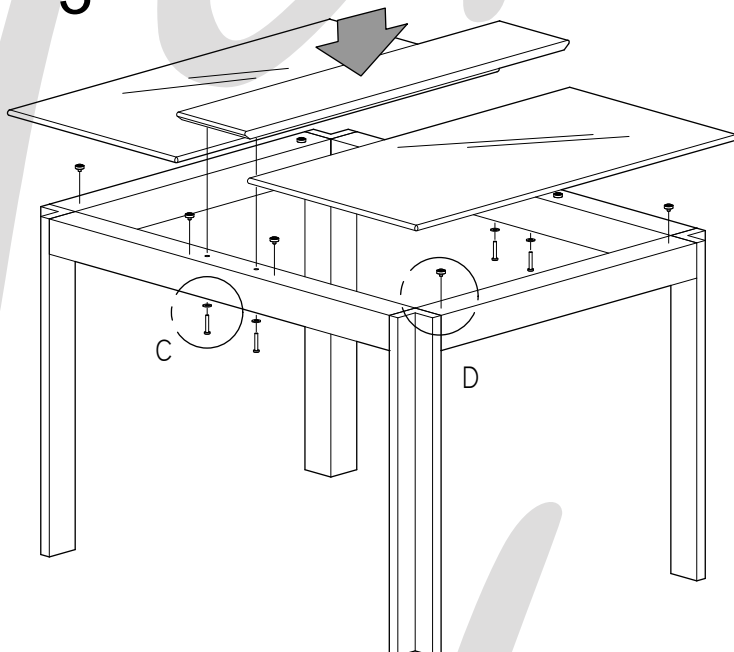
DETAIL C

(8X)



DETAIL D

3



4

